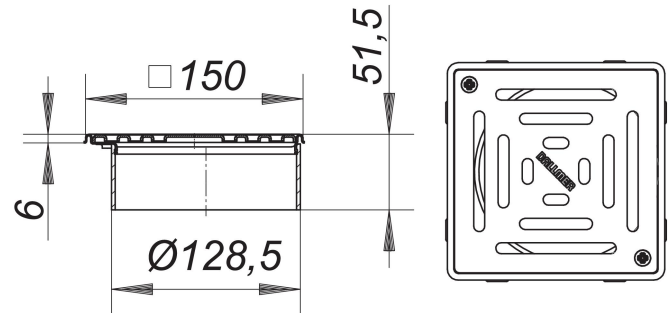


## Grating VN 15, 150 x 150 mm

Part number: 500397  
GTIN: 4001636500397  
Rebate group: 5



### Description:

Grating VN 15, 150 x 150 mm  
for CeraDrain S 15 and TistoDrain S 15,  
height adjustable up to 40 mm with +/- 13 mm lateral adjustment, spigot ABS, frame 304 stainless steel, 150 x 150 mm, grate 304 stainless steel, secured, load class K 3 (300 kg)