

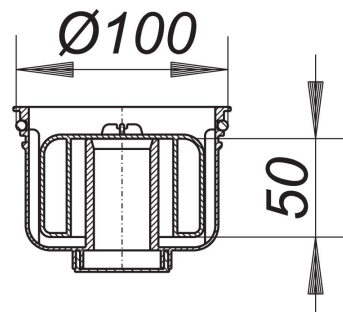
---

## trap insert Primus, 50 mm, for frames 120 x 120 mm

---

Part number: 495006  
GTIN: 4001636495006  
Rebate group: 3

---



---

### Description:

trap insert Primus, 50 mm, for frames 120 x 120 mm  
spare part for floor drains type PRIMUS E 12 and used with frame type ECS 12 in combination with grate Primus 115 or grate Saturn 115.  
Trap insert using a floating bell which sinks to seal the trap if water (50 mm) evaporates.

material  
polypropylene

### Spare parts:

405333 floor drain type 30 PRIMUS E 12, DN 50,

420336 floor drain type 32 PRIMUS E 12, DN 50,