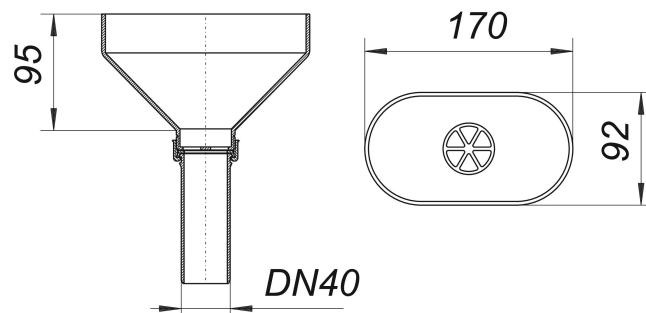


condensate tundish type 013, DN 40

Part number: 080325
GTIN: 4001636080325
Rebate group: 1



Description:

condensate tundish type 013, DN 40

specification:

- 1 1/2" male thread DN 40 tube with 1 1/2" back nut clip
- tundish

material:

polypropylene

Spare parts:

030320 condensate trap type 113, DN 50