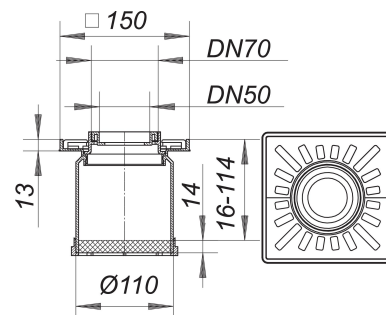

grating KR 10, grate with down pipe insert, 150 x 150 mm

Part number: 510068

GTIN: 4001636510068

Rebate group: 3



Description:

grating KR 10, grate with down pipe insert, 150 x 150 mm

used with floor drain bodies types 40, 42 and 46, with balcony drain bodies types 83 and 84, drainage elements for attic drains as well as type 85 raising piece, spigot polypropylene, extendable with DN 100 plastic pipe, two parts with insert for plastic down pipes 50 – 75 mm, frame polypropylene, 150 x 150 mm, grate polypropylene